

Micro Speaker

Model: OSR3520E-8.0C1.0W8A



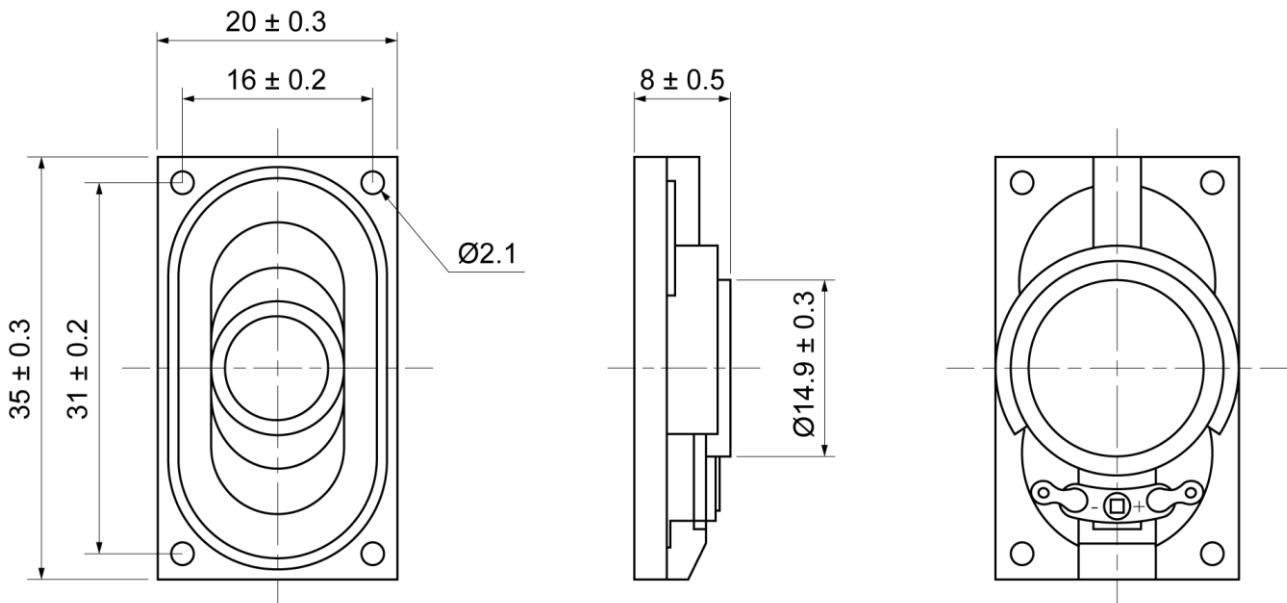
ELECTRICAL SPECIFICATIONS

| | Condition | Parameter | Unit |
|-------------------------|---|------------|------|
| Sound Pressure Level | at 1W, 50cm [at 0.8, 1.0, 1.2, 1.5KHz] | 84 ± 3 | dB |
| Impedance | at 1V, 2000Hz | 8 ± 15% | Ω |
| Rated Input Power | | 1 | W |
| Max Input Power | | 2 | W |
| Resonant Frequency (Fo) | at 1V | 500 ± 20% | Hz |
| Frequency Range | | Fo ~ 20000 | Hz |
| Buzzer & Rattles | not be audible at sine wave between 200 ~ 20KHz | 2.83 | V |
| Operating Temperature | | -30 ~ 70 | °C |
| Magnet | | Nd-Fe-B | |
| Frame Material | | ABS | |
| Cone Material | | Cloth | |
| Weight | | 7 | g |

MECHANICAL DRAWING

Dimensions in mm

Tolerance ±0.5mm Except Specified

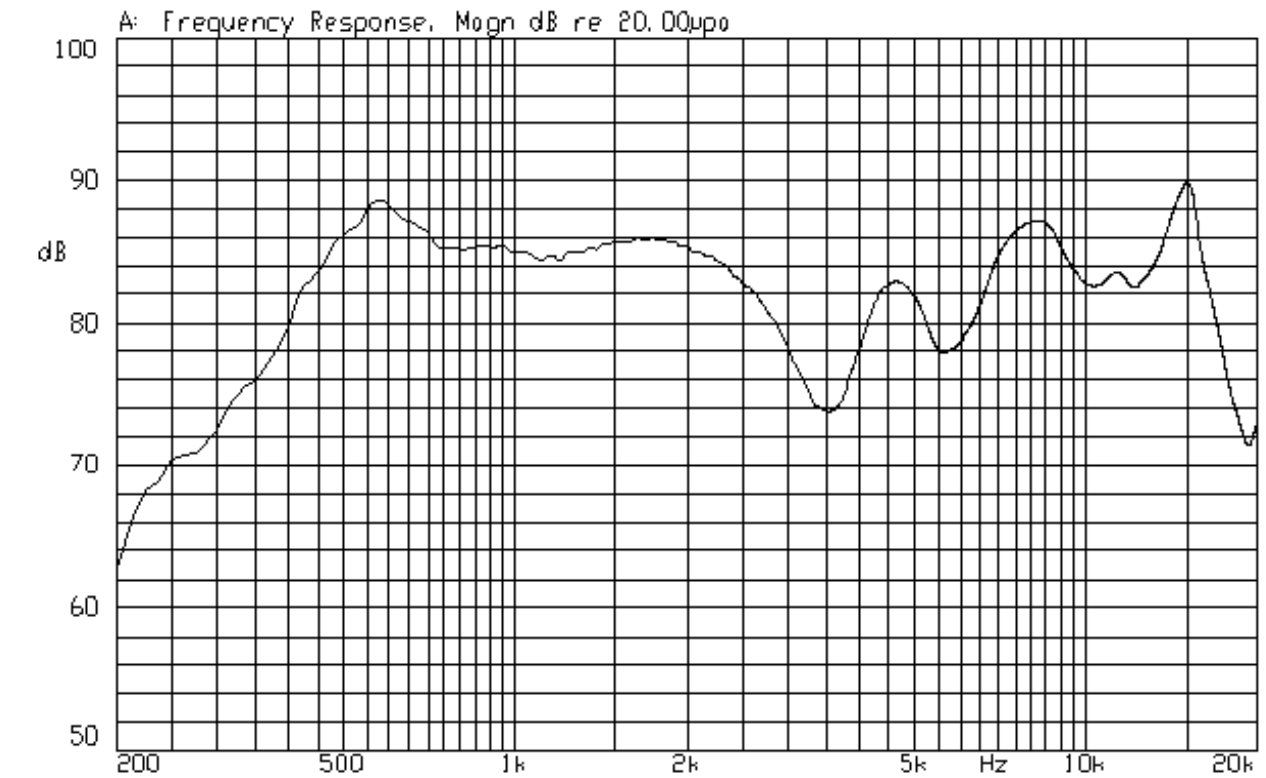


Micro Speaker

Model: OSR3520E-8.0C1.0W8A

FREQUENCY RESPONSE CURVE

YGDA2035A-8 1W 0.5m 2.83V



17-APR-2006 09:03:36

Mode: TSR

